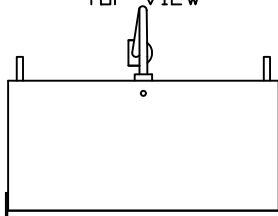
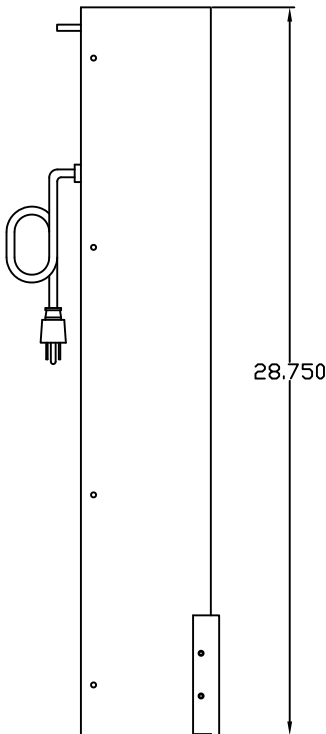


COOLING CAPACITY: 7.4 WATTS/°F
 DIMENSIONS: 28.75"H X 10.68"W X 5.13"D
 WEIGHT: 34 LBS.
 MAXIMUM AMPS: .56/.60 @ 120/110VAC 60/50HZ
 MAXIMUM AMPS: .36/.40 @ 230/220VAC 60/50HZ
 MAXIMUM AMPS: 1.12 @ 48VDC

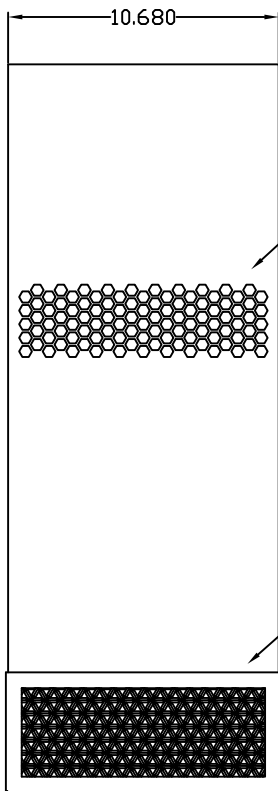
IQ900HE-CF
TOP VIEW



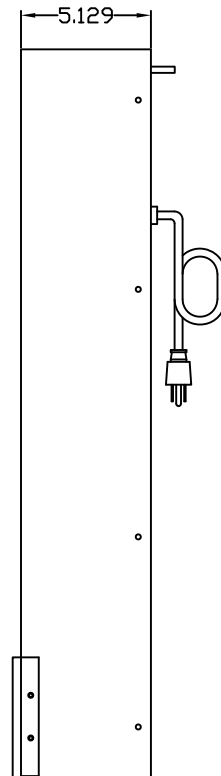
IQ900HE-CF
LEFT SIDE



IQ900HE-CF
FRONT VIEW



IQ900HE-CF
RIGHT SIDE



IQ900HE-CF
BOTTOM VIEW

