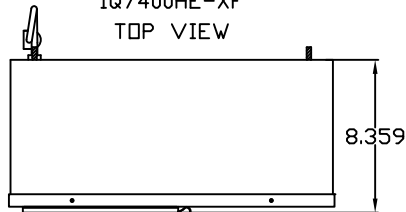


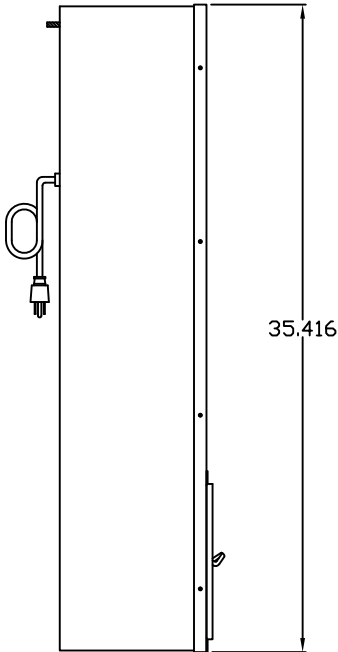
IQ7400HE-XF SPEC DRAWINGS REV 0

COOLING CAPACITY: 57 WATTS/°F
DIMENSIONS: 35.42"H X 17.82"W X 8.36"D
WEIGHT: 74 LBS.
MAXIMUM AMPS: 3.7/4.1 @ 120/110VAC 60/50HZ
MAXIMUM AMPS: 1.8/2.0 @ 230/220VAC 60/50HZ
MAXIMUM AMPS: 4.9 @ 48VDC

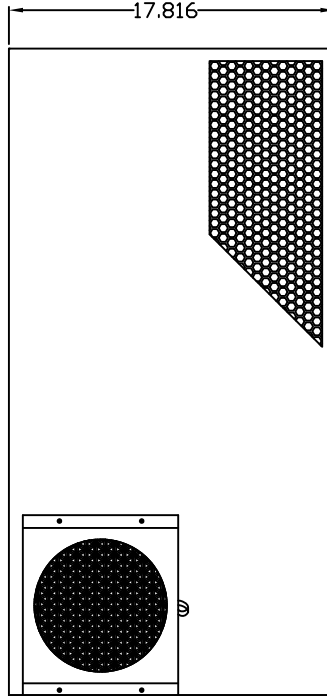
IQ7400HE-XF
TOP VIEW



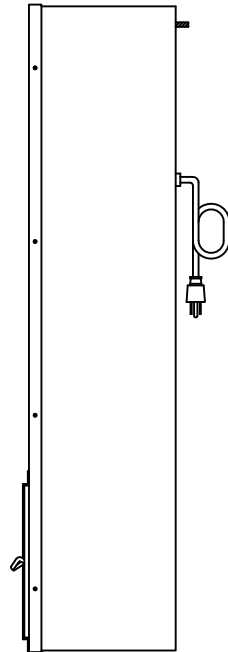
IQ7400HE-XF
LEFT SIDE



IQ7400HE-XF
FRONT VIEW

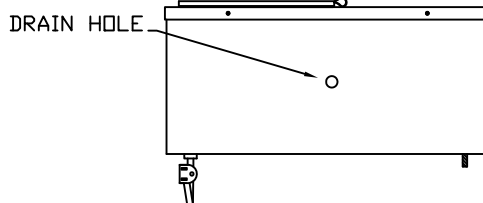


IQ7400HE-XF
RIGHT SIDE

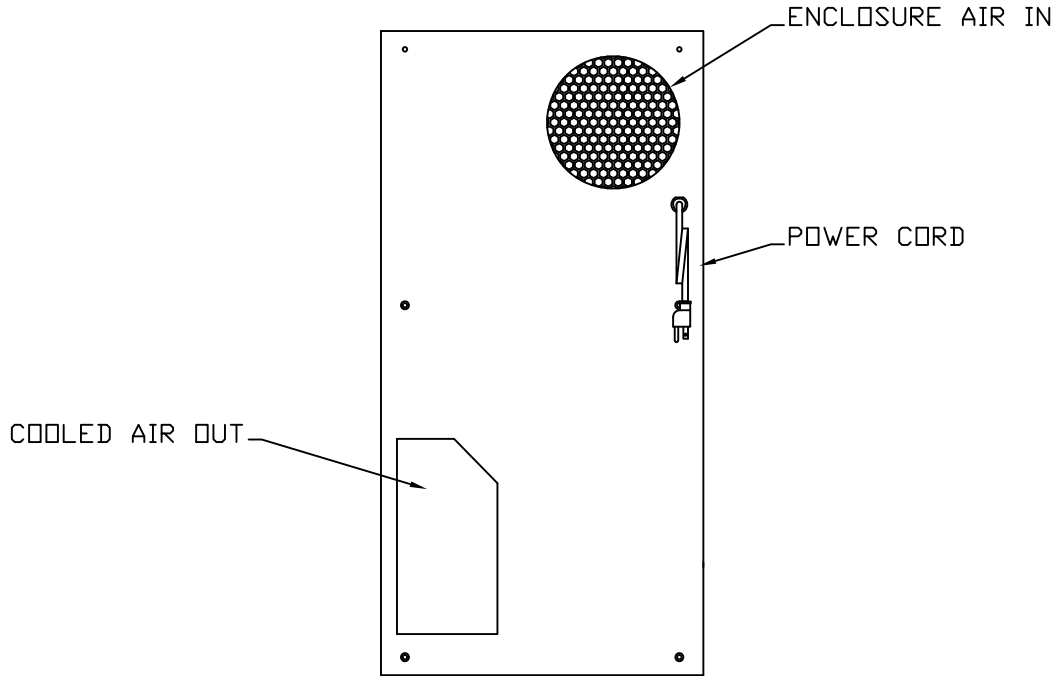


OPTIONAL: FILTER
COVER

IQ7400HE-XF
BOTTOM VIEW

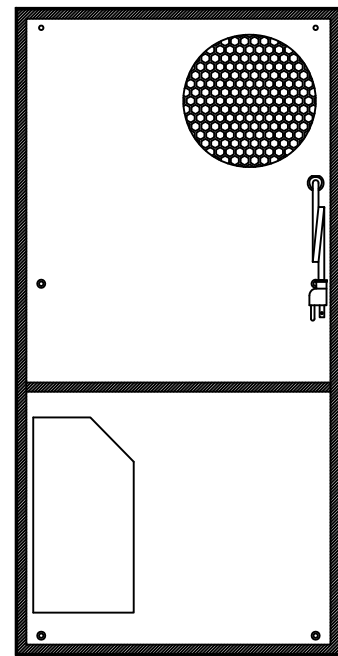
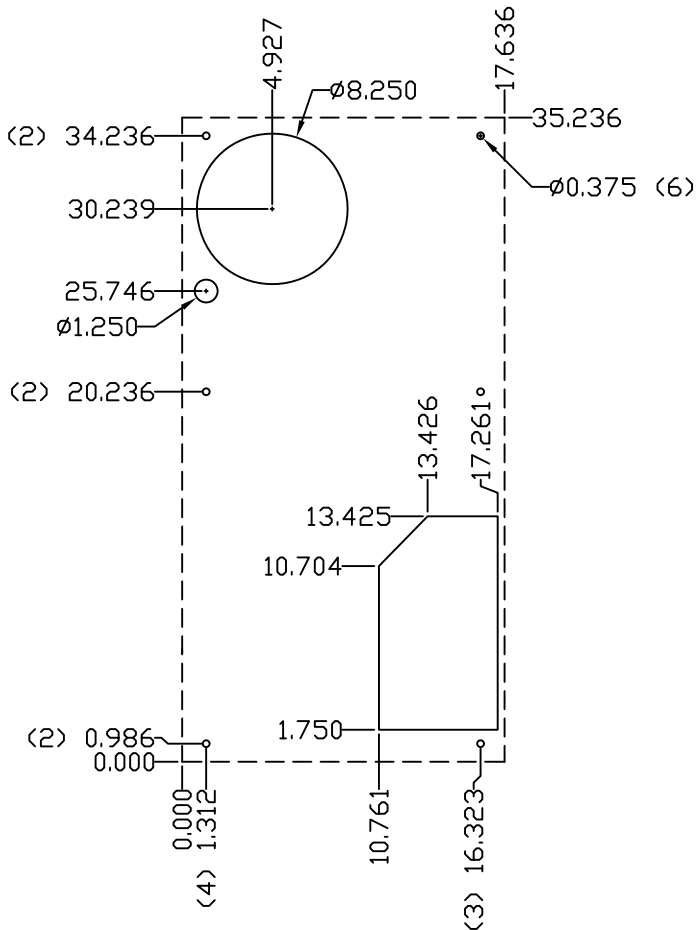


IQ7400HE-XF
REAR VIEW



IQ7400HE-XF
CUT OUT DRAWING

IQ7400HE-XF
GASKET DRAWING



IMPORTANT
GASKET MUST BE
APPLIED AS SHOWN
FOR PROPER OPERATION
AND TO MAINTAIN
NEMA INTEGRITY.

1	AMP CHANGE	11-22-09	JNH
0	INITIAL RELEASE	3-17-08	JNH
REV	DESCRIPTION	DATE	CHECKED
REVISIONS			

PROPRIETARY DRAWING	DATE: 3-17-08	SHEET 1 OF 2	IQ7400HE-XF
REV: 0	DATE: 3-17-08		IQ280225
			1