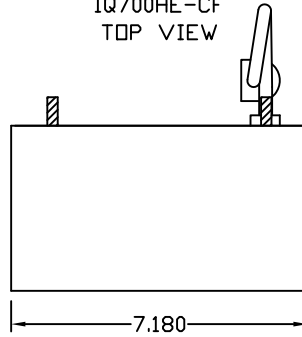
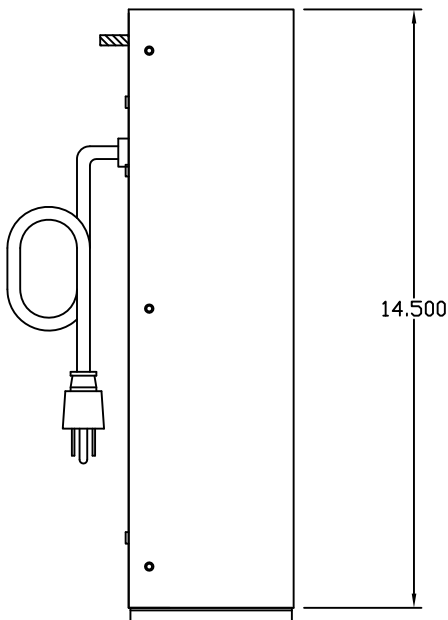


COOLING CAPACITY: 5.7 WATTS/°F
 DIMENSIONS: 14.50"H X 7.18"W X 4"D
 WEIGHT: 10 LBS.
 MAXIMUM AMPS: .24/.26 @ 120/110VAC 60/50HZ
 MAXIMUM AMPS: .13/.14 @ 230/220VAC 60/50HZ
 MAXIMUM AMPS: .25 @ 48VDC

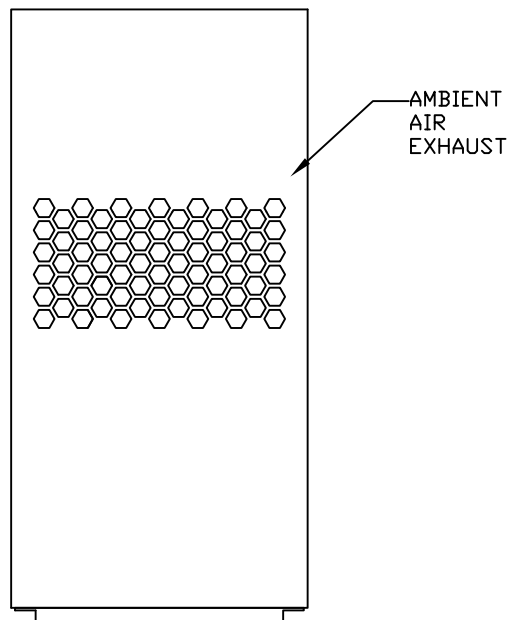
IQ700HE-CF
TOP VIEW



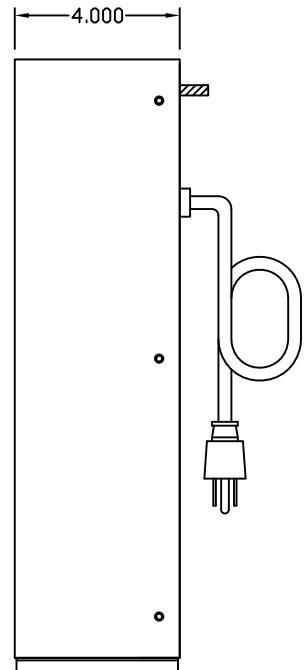
IQ700HE-CF
LEFT SIDE



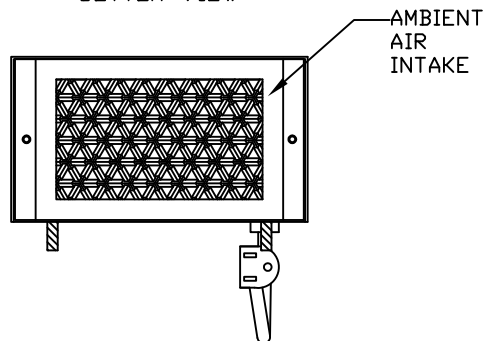
IQ700HE-CF
FRONT VIEW



IQ700HE-CF
RIGHT SIDE

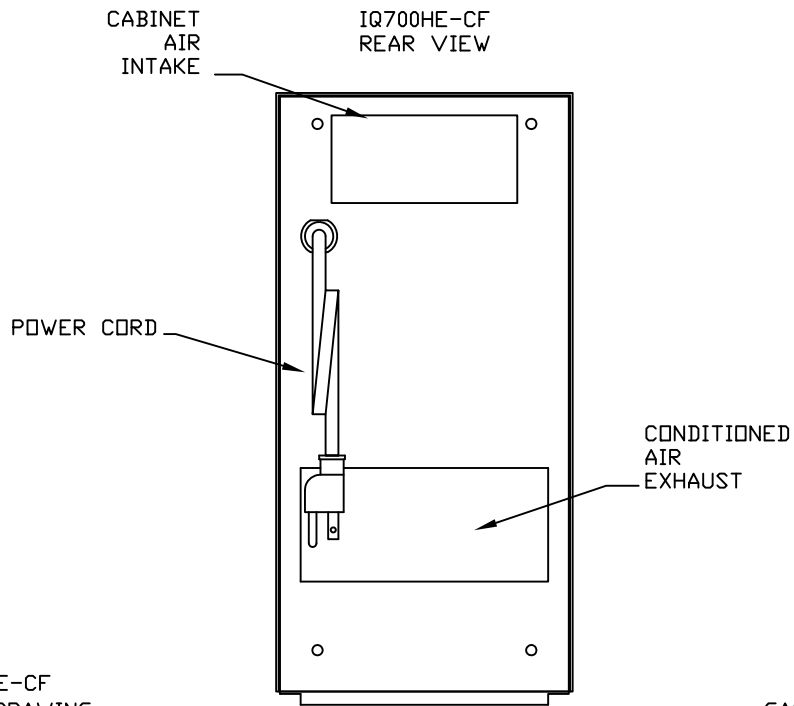


IQ700HE-CF
BOTTOM VIEW

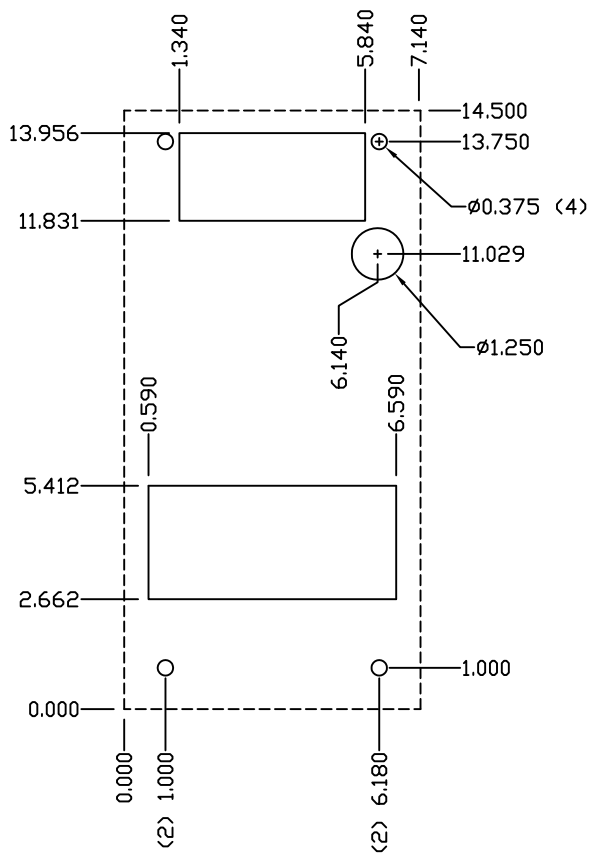


IQ700HE-CF
SUBJECT TO CHANGE

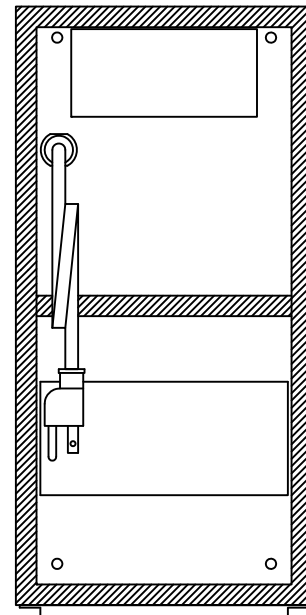
PROPRIETARY DRAWING NOT BE LOANED, REPRODUCED, COPIED, OR IN ANY MANNER DISSEMINATED WITHOUT THE EXPRESS WRITTEN PERMISSION OF THE COMPANY	DATE: 4-24-09 SHEET 2 OF 2	IQ700HE-CF IQ290425	1
	I/O SPECIAL CELL CENTER 10000 WILSON AVENUE WILSON, CA 94094 TEL: 650-255-1000 FAX: 650-255-1001		



IQ700HE-CF CUT OUT DRAWING



IQ700HE-CF GASKET DRAWING



IMPORTANT
 GASKET MUST BE APPLIED AS SHOWN FOR PROPER OPERATION AND TO MAINTAIN NEMA INTEGRITY.

0	INITIAL RELEASE	4-24-09	JMH
REV	DESCRIPTION	DATE	CHECKED
	REVISIONS		

PROPRIETARY DRAWING
 4-24-09
 SHEET 1 OF 2

	INTERNATIONAL ELECTRIC COMPANY 100 WILSON AVENUE WILSON, NJ 07094 TEL: 908-261-1000 FAX: 908-261-1001
IQ700HE-CF	0
IQ290425	0