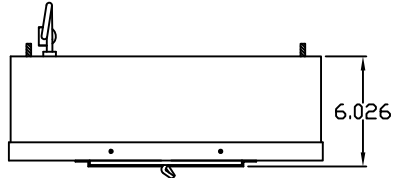


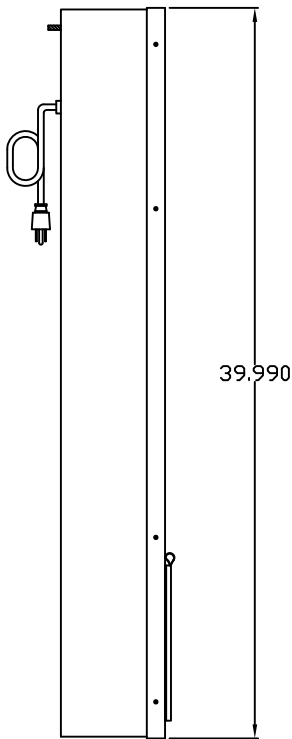
IQ6100HE-CF SPEC DRAWINGS REV 0

COOLING CAPACITY: 47 WATTS/°F
DIMENSIONS: 39.99"H X 17.18"W X 6.03"D
WEIGHT: 60 LBS.
MAXIMUM AMPS: 3.7/4.1 @120/110VAC 60/50HZ
MAXIMUM AMPS: 1.8/2.0 @230/220VAC 60/50HZ
MAXIMUM AMPS: 4.9 @ 48VDC

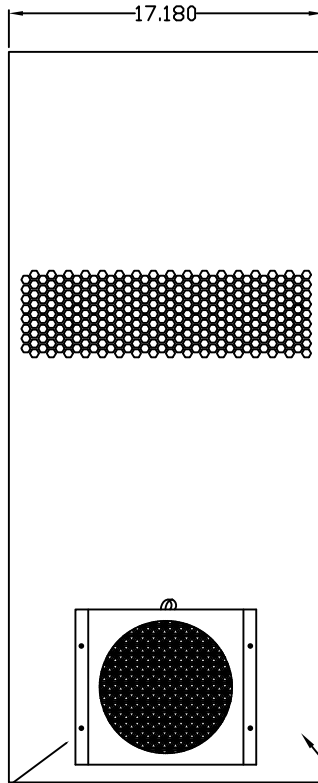
IQ6100HE-CF
TOP VIEW



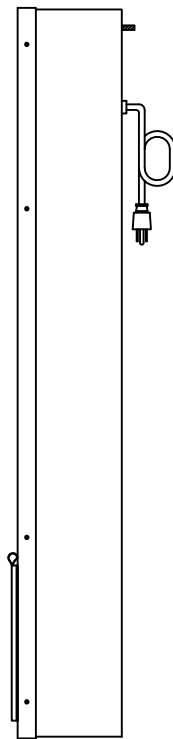
IQ6100HE-CF
LEFT SIDE



IQ6100HE-CF
FRONT VIEW



IQ6100HE-CF
RIGHT SIDE

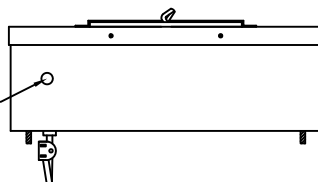


OPTIONAL: FILTER
COVER

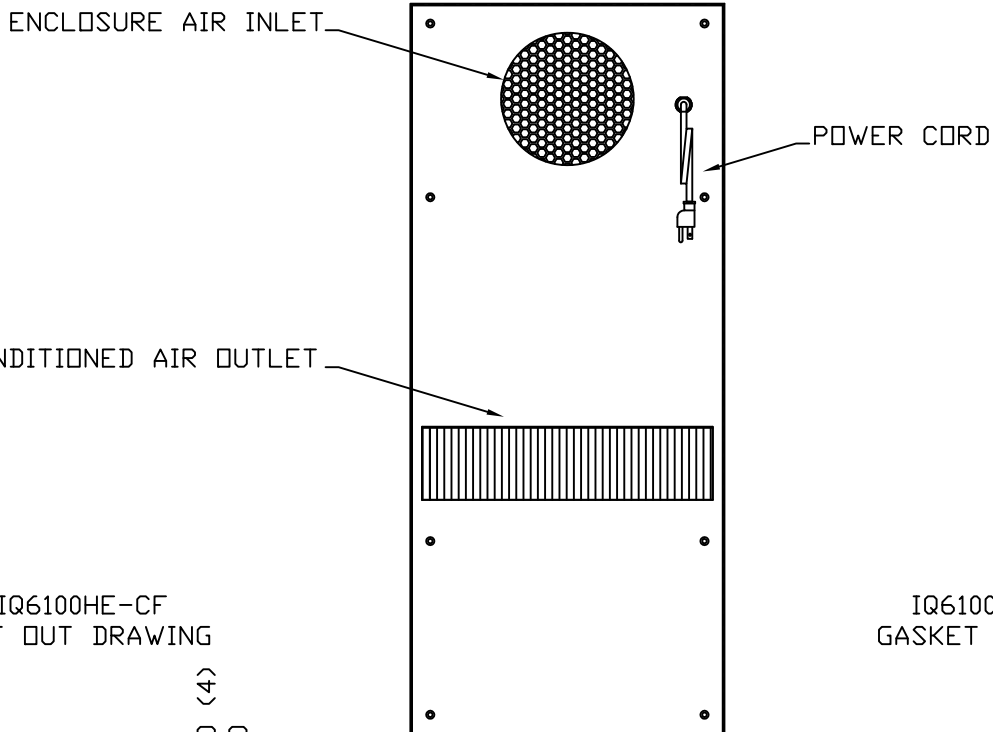
IQ6100HE-CF
FRONT VIEW

AMBIENT AIR INLET

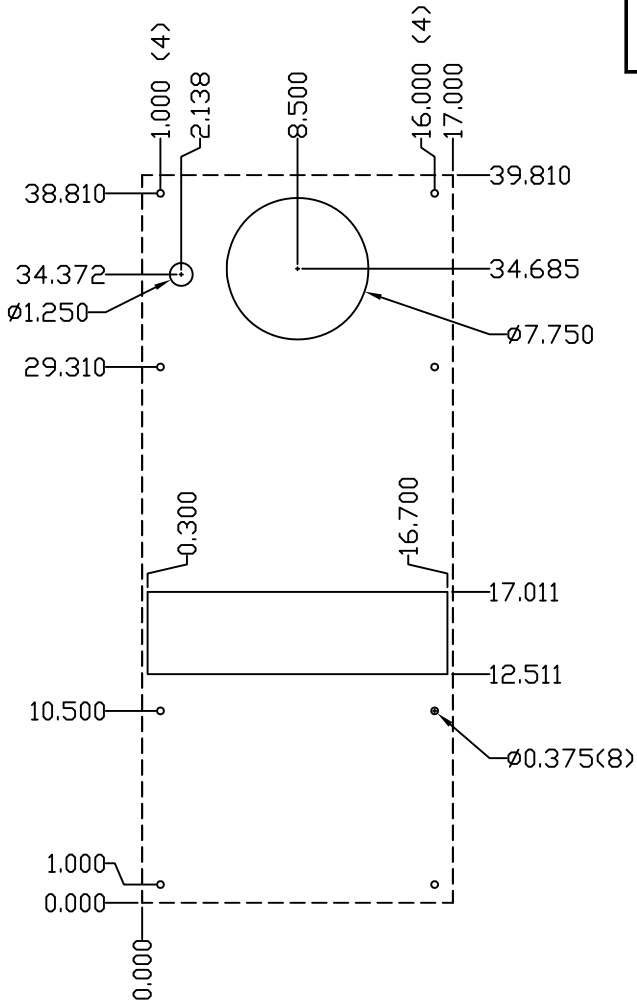
DRAIN HOLE



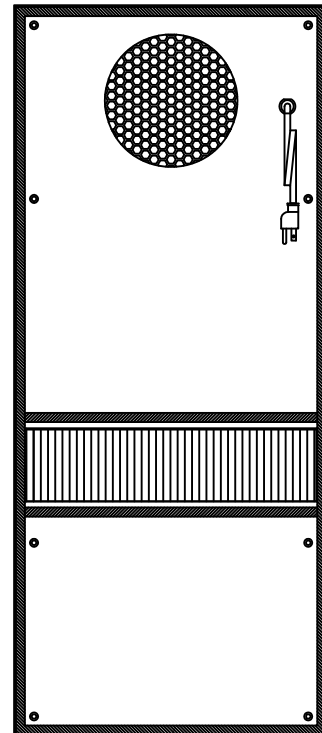
IQ6100HE-CF
REAR VIEW



IQ6100HE-CF
CUT OUT DRAWING



IQ6100HE-CF
GASKET DRAWING



IMPORTANT
GASKET MUST BE
APPLIED AS SHOWN
FOR PROPER OPERATION
AND TO MAINTAIN
NEMA INTEGRITY.

1	AMP CHANGE	11-23-09	JMH
0	INITIAL RELEASE	4-16-08	JMH
REV	DESCRIPTION	DATE	CHECKED
REVISIONS			

PROPRIETARY DRAWING	DATE	REV	QTY
4-16-08	4-16-08		
SHEET 1 OF 2	IQ280221	1	