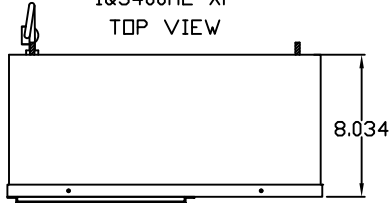


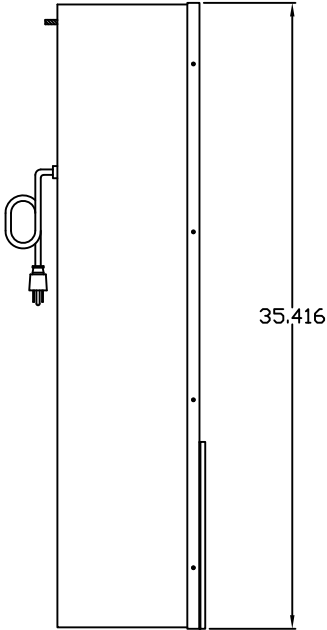
IQ3400HE-XF SPEC DRAWINGS REV 0

COOLING CAPACITY: 28 WATTS/°F
DIMENSIONS: 35.42"H X 17.82"W X 8.03"D
WEIGHT: 54 LBS.
MAXIMUM AMPS: 1.26/1.39 @ 120/110VAC 60/50HZ
MAXIMUM AMPS: .62/.68 @ 230/220VAC 60/50HZ
MAXIMUM AMPS: 1.91 @ 48VDC

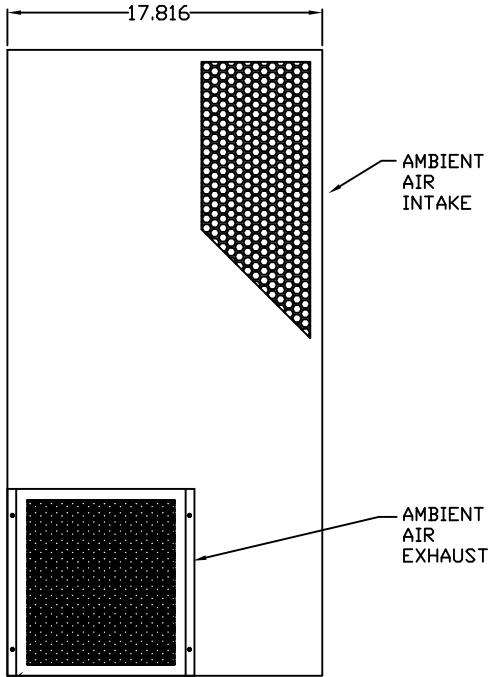
IQ3400HE-XF
TOP VIEW



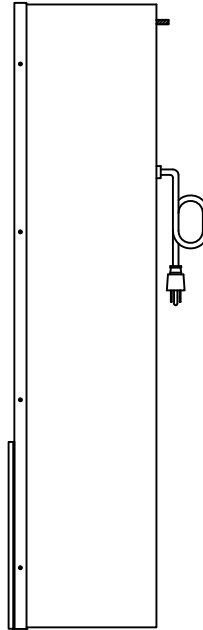
IQ3400HE-XF
LEFT SIDE



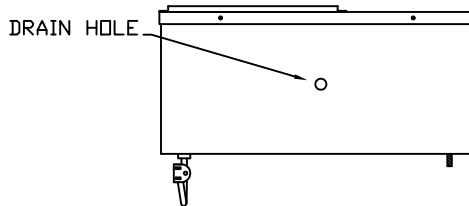
IQ3400HE-XF
FRONT VIEW



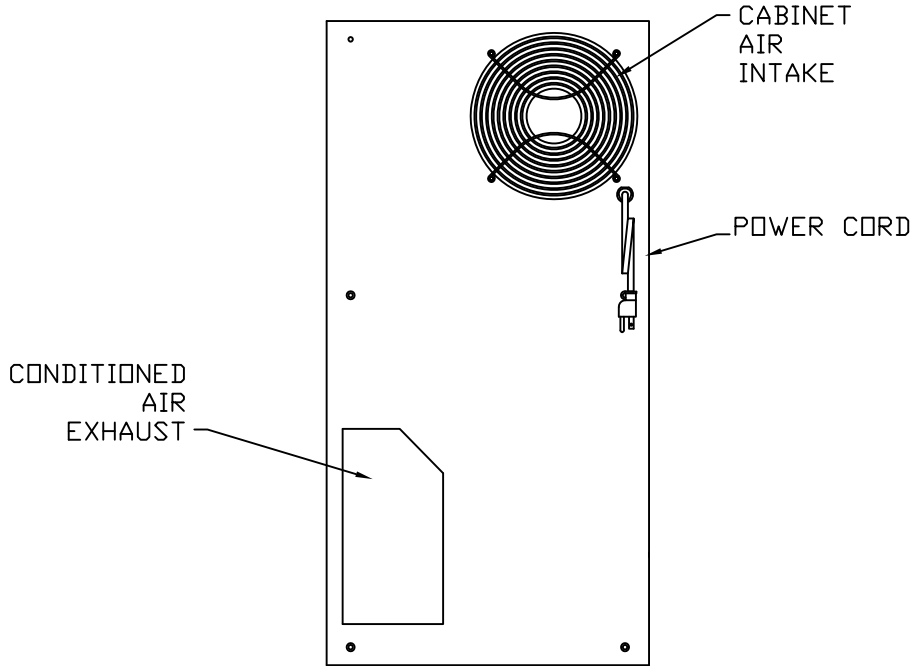
IQ3400HE-XF
RIGHT SIDE



IQ3400HE-XF
FRONT VIEW

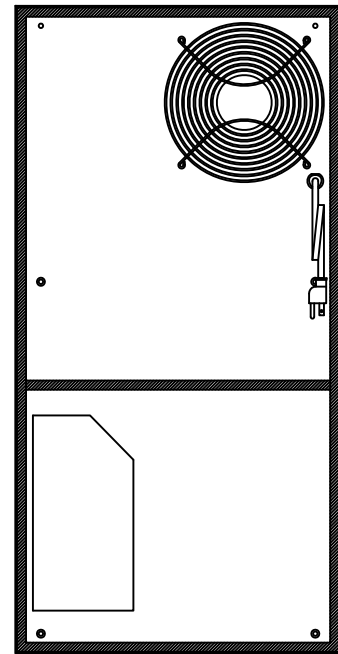
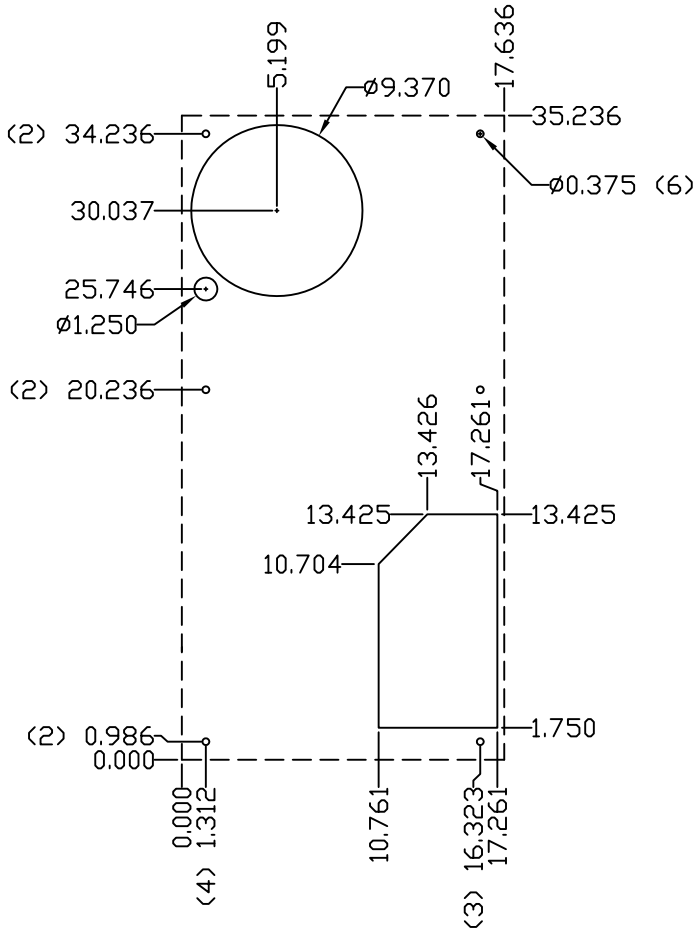


IQ3400HE-XF
REAR VIEW



IQ3400HE-XF
CUT OUT DRAWING

IQ3400HE-XF
GASKET DRAWING



IMPORTANT
GASKET MUST BE
APPLIED AS SHOWN
FOR PROPER OPERATION
AND TO MAINTAIN
NEMA INTEGRITY.

0	INITIAL RELEASE	4-9-09	JMH
REV	DESCRIPTION	DATE	CHECKED
	REVISIONS		

PROPRIETARY DRAWING	DATE	REV	NO.	IQ3400HE-XF
4-9-09	1			
SHEET 2 OF 2				IQ291009
				0