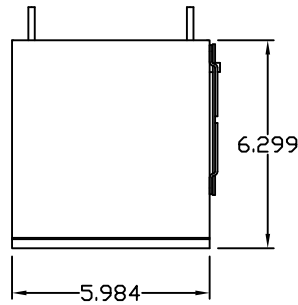


IQ1000MM-R & IQ1300MM-R SPEC DRAWING REV 0

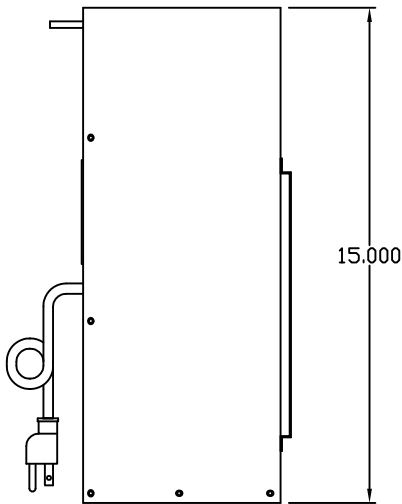
IQ1000MM-R
 COOLING CAPACITY: 1000 BTUH @131-131°F
 MAXIMUM AMPS: 3.1 @120V/60HZ
 MAXIMUM AMPS: 1.3 @230V/60HZ
 MAXIMUM OPERATING TEMP.: 131°F
 DIMENSIONS: 15.00"H X 5.98"W X 6.29"D
 WEIGHT: 21 LBS

IQ1300MM-R
 COOLING CAPACITY: 1300 BTUH @131-131°F
 MAXIMUM AMPS: 3.2 @120V/60HZ
 MAXIMUM AMPS: 1.4 @230V/60HZ
 MAXIMUM OPERATING TEMP.: 131°F
 DIMENSIONS: 15.00"H X 5.98"W X 6.29"D
 WEIGHT: 21 LBS

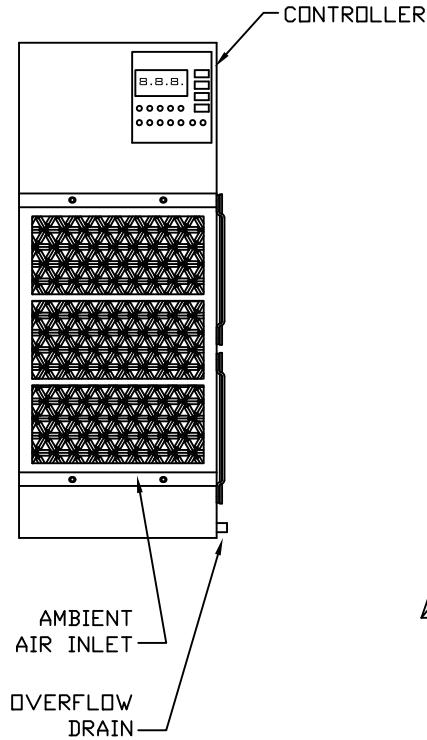
IQ1000MM-R
 IQ1300MM-R
 TOP VIEW



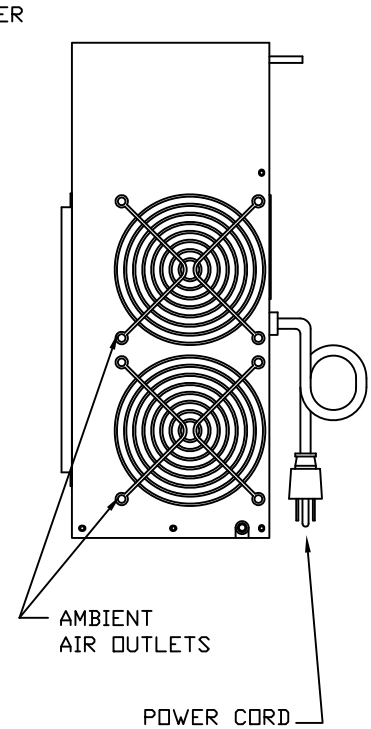
IQ1000MM-R
 IQ1300MM-R
 LEFT VIEW



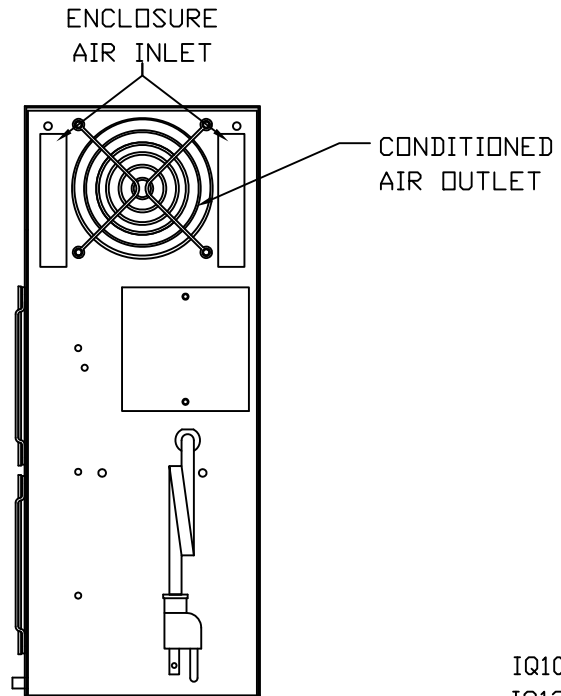
IQ1000MM-R
 IQ1300MM-R
 FRONT VIEW



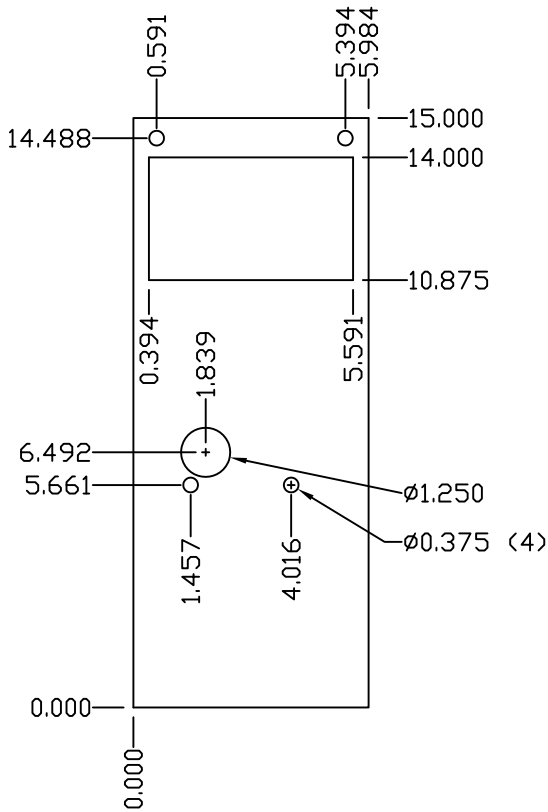
IQ1000MM-R
 IQ1300MM-R
 RIGHT VIEW



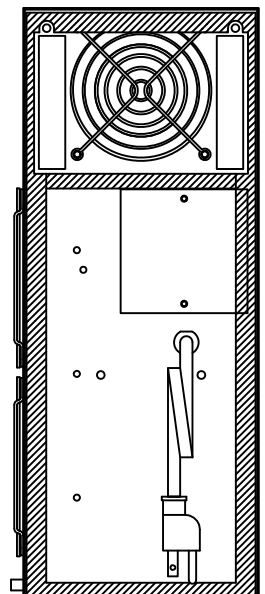
IQ1000MM-R
 IQ1300MM-R
 REAR VIEW



IQ1000MM-R
 IQ1300MM-R
 CUT OUT DRAWING



IQ1000MM-R
 IQ1300MM-R
 GASKET DRAWING



IMPORTANT
 GASKET MUST BE
 APPLIED AS SHOWN
 FOR PROPER OPERATION
 AND TO MAINTAIN
 NEMA INTEGRITY