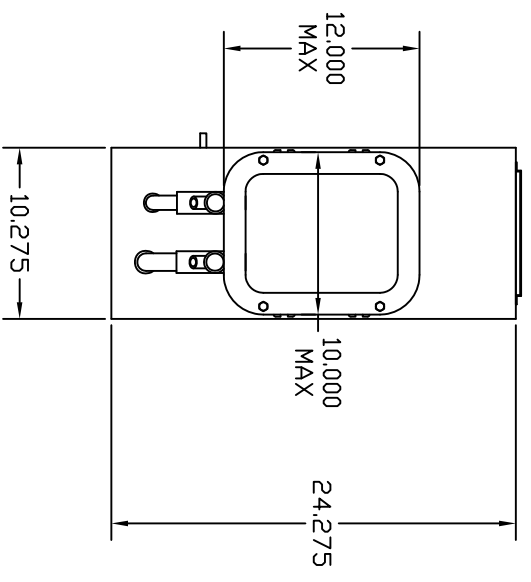


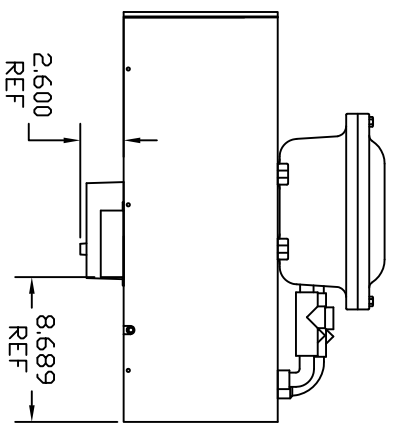
HAZARDOUS LOCATION
 IQ2000TXS AND 2500TXS SPEC DRAWING REV 4

IQ2000TXS
 COOLING CAPACITY: 2000 BTUH @ 131°F
 MAXIMUM AMPS: 4.7 @120V 60HZ
 MAXIMUM AMPS: 2.3 @230V 60HZ
 MAXIMUM OPERATING TEMP.: 131°F
 DIMENSIONS: 9.25"H X 10.28"W X 24.28"D
 WEIGHT: 70 LBS.

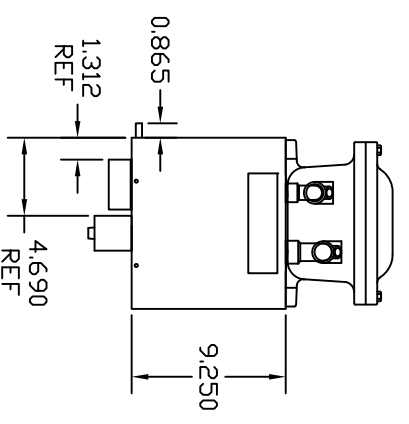
IQ2500TXS
 COOLING CAPACITY: 2500 BTUH @ 131°F
 MAXIMUM AMPS: 7.6 @120V 60HZ
 MAXIMUM AMPS: 3.6 @230V 60HZ
 MAXIMUM OPERATING TEMP.: 131°F
 DIMENSIONS: 9.25"H X 10.28"W X 24.28"D
 WEIGHT: 70 LBS.



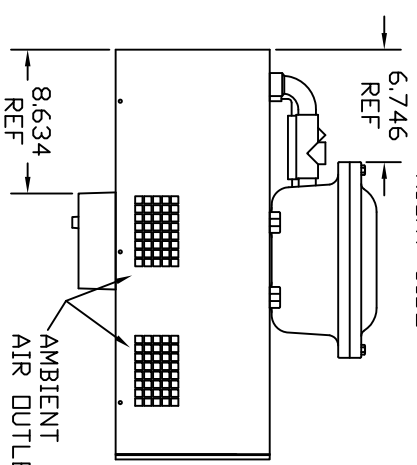
IQ2000TXS
 IQ2500TXS
 TOP VIEW



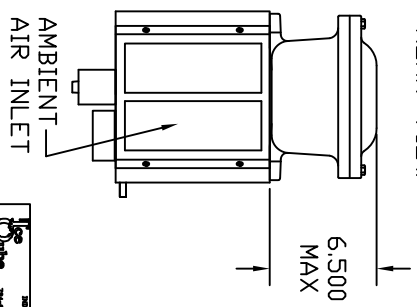
IQ2000TXS
 IQ2500TXS
 LEFT SIDE



IQ2000TXS
 IQ2500TXS
 FRONT VIEW

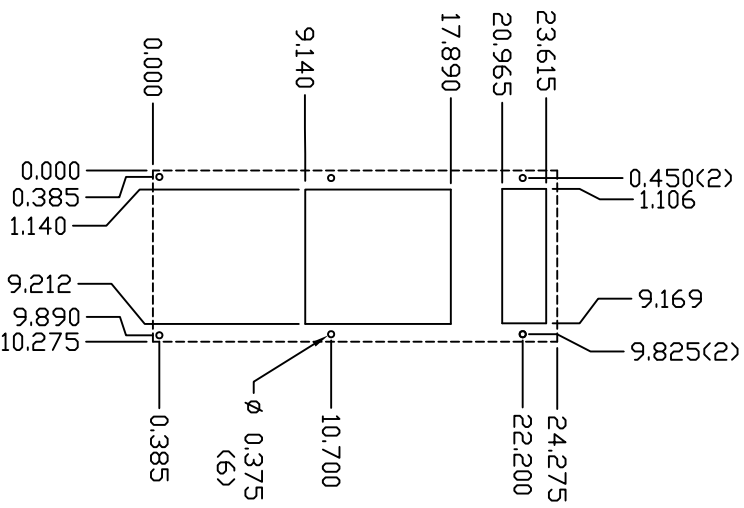


IQ2000TXS
 IQ2500TXS
 RIGHT SIDE

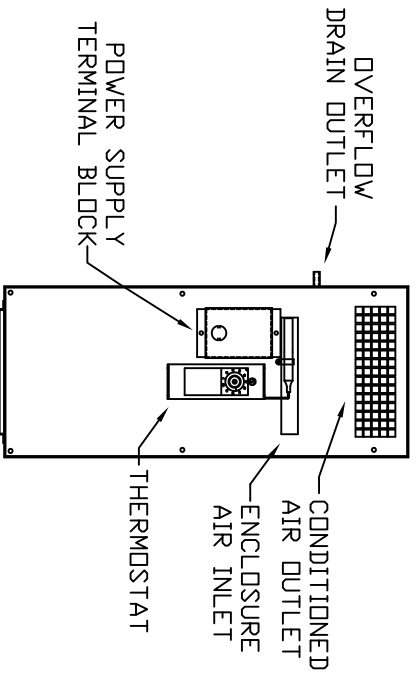


IQ2000TXS
 IQ2500TXS
 REAR VIEW

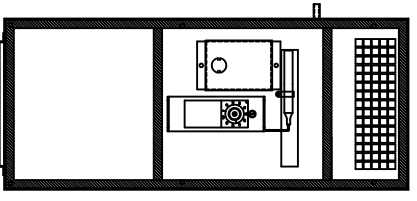
HAZARDOUS LOCATION
IQ2000TXS, IQ2500TXS
CUTOUT DRAWING



IQ2000TXS
IQ2500TXS
BOTTOM VIEW



HAZARDOUS LOCATION
IQ2000TXS, IQ2500TXS
GASKET DRAWING



IMPORTANT
GASKET MUST BE
APPLIED AS SHOWN
FOR PROPER OPERATION
AND TO MAINTAIN
NEMA INTEGRITY

HAZARDOUS LOCATION CERTIFICATIONS

UL/ETL: CLASS 1 DIVISION 2 GROUPS B, C & D
ETL: CLASS 1 ZONE 2 GROUP IIB
TEMPERATURE CODE:

UL: T4
ETL: T3

REV	DESCRIPTION	DATE	CHECKED
4	ADDED UL/ETL CERTIFICATIONS & TEMP CODES	1-17-11	JHM
3	UPDATE MAX OPERATING TEMPS	7-12-10	JHM
2	UPDATE THERM. TEMPS	8-18-10	JHM
1	UPDATE VENTIL. THERMOSTAT	7-29-09	JHM
0	INITIAL RELEASE	7-29-09	JHM
	REVISIONS		

PROPRIETARY DRAWING
DATE: 7-24-08
SHEET 1 OF 2

	UL	UL20-2500TXS	4
	ETL	IQ280703	4