

For enclosure or panel cooling, our exclusive use of a rotary compressor allows us to manufacture the smallest, lightest weight, most energy efficient cooling solutions in the industry.

Standard Features

- Digital temperature controller with alarm
- Built-in condensate evaporator
- Durable 16 gauge welded steel construction
- Efficient, quiet, long lasting rotary compressor
- Environment friendly HFC refrigerant
- Easy pull-out filter
- UL Listed
- Space saving aesthetic cabinet design
- Designed to mount on top of enclosure while maintaining NEMA type 12, 3R, 4, or 4X integrity

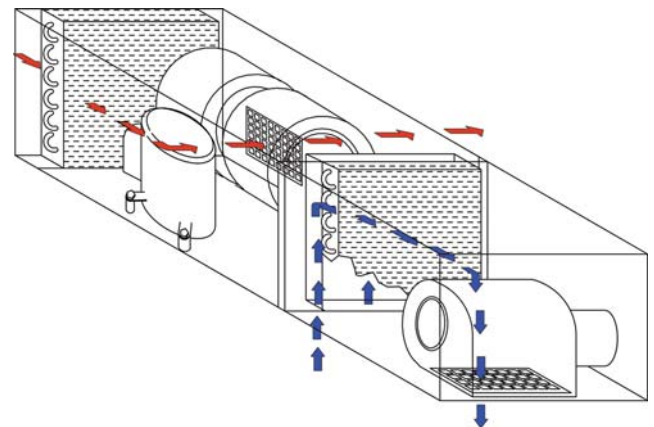
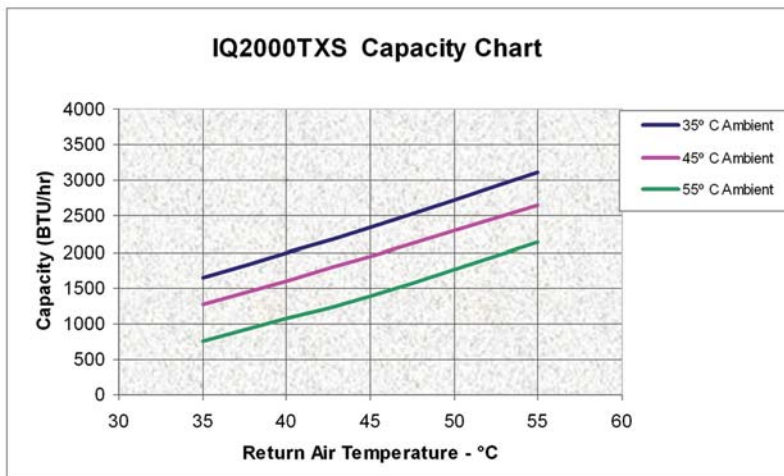


Options & Accessories

- Stainless Steel
- Remote Controller Kit
- Replacement Filters
- Corrosive Packages
- Low Ambient
- External Heat Output
- Alarm Output

Technical Data

Model	BTU	Volts	Max Amps	Weight (lbs.)	Dimensions
IQ2000TXS-126	2000	120/60	4.7	50	9.25"H x 10.28"W x 24.28"D
IQ2000TXS-236	2000	230/60/50	2.3/2.6	50	9.25"H x 10.28"W x 24.28"D
IQ2500TXS-126	2500	120/60	7.6	50	9.25"H x 10.28"W x 24.28"D
IQ2500TXS-236	2500	230/60/50	3.6/4.0	50	9.25"H x 10.28"W x 24.28"D



- Conditioned Enclosure Air Flow
- Ambient Air Flow

